

Comfort-Vario COR-MHI/VR.

Single Phase Variable Speed Booster Sets.



Wilo-Comfort-Vario COR-MHI/VR

Single Phase Variable Speed Booster Sets



The WILO Comfort-Vario series of single phase cold water booster sets are particularly suitable for use wherever small quantities require to be delivered at modest pressures. VR applications include:

Large dwellings – Small apartment blocks
Hotels – Hospitals – Clinics
Leisure complexes – Caravan sites
Light industrial applications

Description

All units are fully automatic self-contained pump sets designed to provide reliable water supplies. The sets are quiet running, making them suitable for use in hotels and hospitals. The control systems are based on proven electronic technology giving reliability and simple on site adjustment. Sets are manufactured with either two or three pumps operating as duty-standby, duty-assist, duty-assist-standby and duty-assist-assist. The pumps, pipes and controls are carefully arranged on a steel base frame to ensure that floor spaced used is minimal, yet maintenance is easily undertaken.

Operational Cycle:

The configuration of the pumps can be chosen to suit the specific application: Duty-Standby or Duty-Assist. System pressure is maintained by a hydraulic accumulator and monitored by pressure a sensor, keeping the system ready for instant draw off. When demand causes pressure to drop the duty pump starts, and will ramp up in speed to match the system demand. The pump will continue to run, varying its speed to match the varying demand of the system. If the demand exceeds capacity of duty pump

the assist pump(s) will ramp up in speed ensuring duty point is maintained. When the system demand reduces to zero, the pumps will ramp down until they stop. If the duty pump should fail, the standby will start and run until pressure is restored. The Duty pump is rotated between all pumps after each operational cycle to ensure even wear.

Specification:

Pumps: Horizontal multi stage design of stainless steel construction, WRC approved.

Motor: Totally enclosed fan cooled (TEFC), IP54, class F, 230 volts, three phase, direct on line (DOL) starting via panel mounted inverter.

Inverter: Each pump has a dedicated panel mounted inveter, giving maximum reliability and flexibility. The inverters typically employed are panel mounted 6 pulse PWM type inverter.

Pipe Work: Stainless steel 14571, sized in accordance with the overall hydraulic performance of the unit.

Valves: DVGW certificated nickel-plated isolation and non-return valves.

Pressure Sensor: Heavy duty piezo-resistive type transducers (4-20ma).

Accumulator: 1 x 8 litre MWP 16 bar, WRC approved c/w through flow shutoff valve for testing and draining.

Control Panel: VR-230V central control unit of fully electronic modular design for automatic control of a maximum of 3

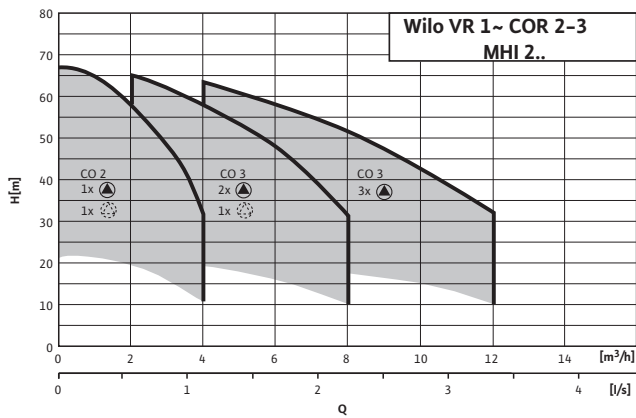
parallel pumps, which contain integrated frequency converters for the speed control. Sheet steel enclosure, IP54 protection class, with door interlocked isolator, LC display, access to operation control parameters via a single dial/pushbutton.

Design:

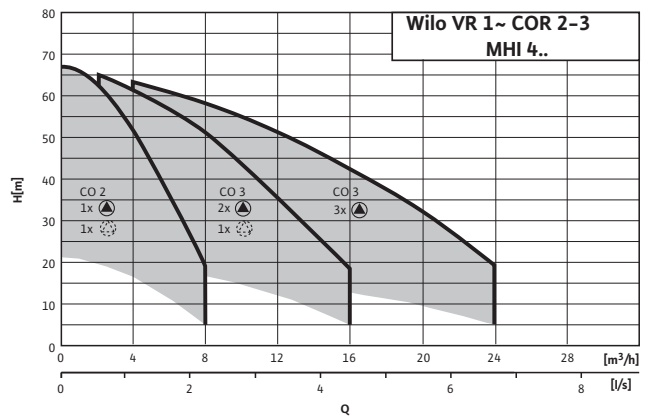
Max working Pressure:	10 Bar
Voltage:	230V/1PH/50Hz
Protection Index:	IP54
EMC Compliance:	EN61000-6-2/3

Duty charts WILO-VR 1~ COR-2 to COR-3 MHI

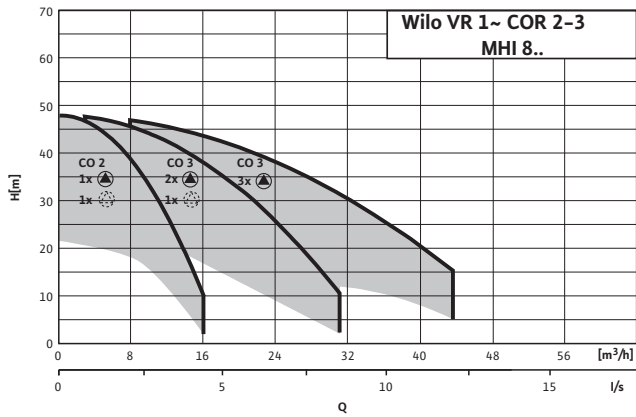
Wilо-VR 1~ COR-2 to COR-3
MHI 202 - 206



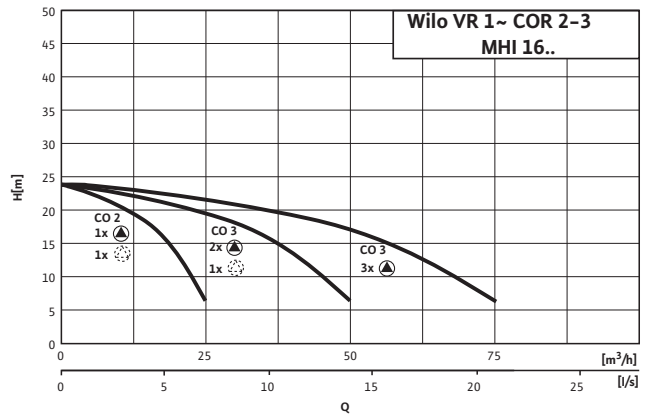
Wilо-VR 1~ COR-2 to COR-3
MHI 402 - 406

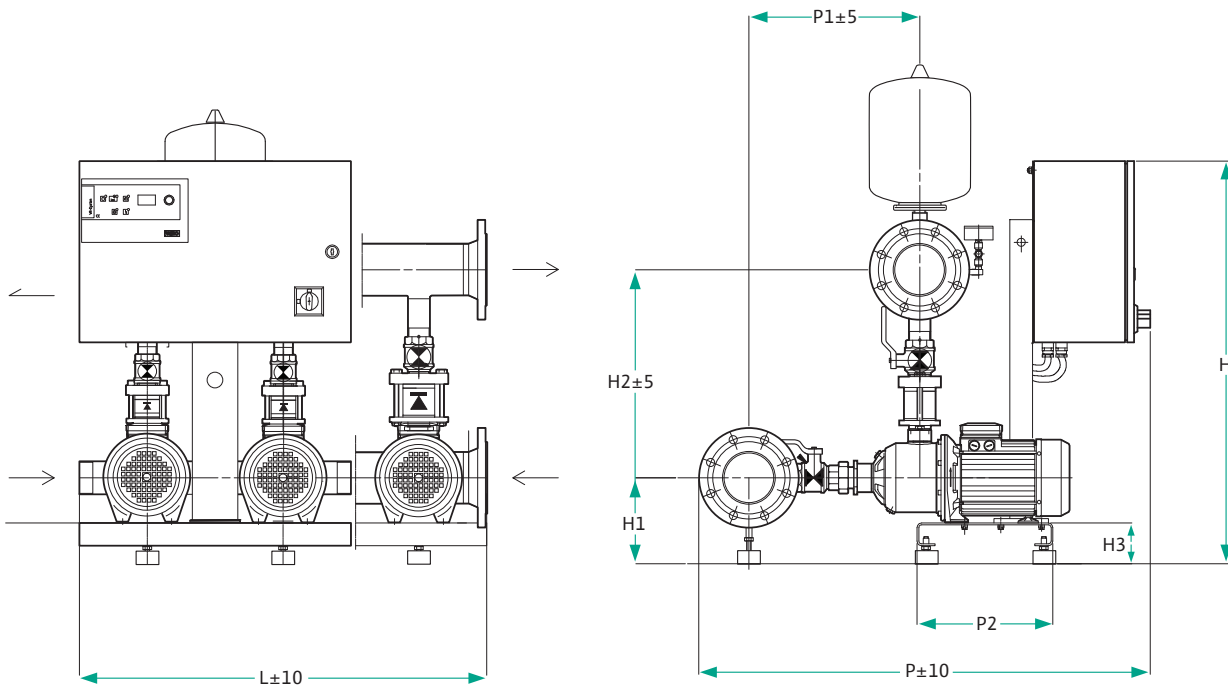


Wilо-VR 1~ COR-2 to COR-3
MHI 803 - 805



Wilо-VR 1~ COR-2 to COR-3
MHI 1602





MODEL REF	MAX RATING		DIMENSIONS IN MM								
	P2 Kw	In Amp	L	P	P1	P2	H	H1	H2	H3	X&Y
COR 2MHI202/VR	1.1	6.0	600	825	280	300	890	180	395	90	2" BSP
COR 2MHI203/VR	1.1	6.0	600	825	280	300	890	180	395	90	2" BSP
COR 2MHI204/VR	1.1	6.0	600	873	328	300	890	180	395	90	2" BSP
COR 2MHI205/VR	1.5	7.2	600	873	328	300	890	180	395	90	2" BSP
COR 2MHI206/VR	2.2	10.6	600	897	352	300	890	180	395	90	2" BSP
COR 2MHI402/VR	1.1	6.0	600	844	299	300	890	180	395	90	2" BSP
COR 2MHI403/VR	1.1	6.0	600	844	299	300	890	180	395	90	2" BSP
COR 2MHI404/VR	1.5	7.2	600	892	347	300	890	180	395	90	2" BSP
COR 2MHI405/VR	2.2	10.6	600	892	347	300	890	180	395	90	2" BSP
COR 2MHI406/VR	3.0	13.2	600	916	371	300	890	180	395	90	2" BSP
COR 2MHI802/VR	1.5	7.2	600	781	323	300	890	180	402	90	2 1/2" BSP
COR 2MHI803/VR	2.2	10.6	600	781	323	300	890	180	402	90	2 1/2" BSP
COR 2MHI804/VR	3.0	13.2	600	841	383	300	890	180	402	90	2 1/2" BSP
COR 2MHI1602/VR	3.0	13.2	600	832	368	300	890	180	443	90	3" BSP
COR 3MHI202/VR	1.65	9.0	900	825	280	300	890	180	395	90	2" BSP
COR 3MHI203/VR	1.65	9.0	900	825	280	300	890	180	395	90	2" BSP
COR 3MHI204/VR	1.65	9.0	900	873	328	300	890	180	395	90	2" BSP
COR 3MHI205/VR	2.25	10.8	900	873	328	300	890	180	395	90	2" BSP
COR 3MHI206/VR	3.3	15.9	900	897	352	300	890	180	395	90	2" BSP
COR 3MHI402/VR	1.65	9.0	900	844	299	300	890	180	395	90	2" BSP
COR 3MHI403/VR	1.65	9.0	900	844	299	300	890	180	395	90	2" BSP
COR 3MHI404/VR	2.25	10.8	900	892	347	300	890	180	395	90	2" BSP
COR 3MHI405/VR	3.3	15.9	900	892	347	300	890	180	395	90	2" BSP
COR 3MHI406/VR	4.5	19.8	900	916	371	300	890	180	395	90	2" BSP
COR 3MHI802/VR	2.25	10.8	900	781	323	300	890	180	402	90	2 1/2" BSP
COR 3MHI803/VR	3.3	15.9	900	781	323	300	890	180	402	90	2 1/2" BSP
COR 3MHI804/VR	4.5	19.8	900	841	383	300	890	180	402	90	2 1/2" BSP
COR 3MHI1602/VR	4.5	19.8	900	912	381	300	890	180	456	90	4" PN16



WILO (U.K.) LTD Second Avenue, Centrum 100, Burton Upon Trent, DE14 2WJ
T: +44 (0)1283 523000 F: +44 (0)1283 523099 E: sales@wilo.co.uk www.wilo.co.uk

Wilo Engineering Ltd, Unit B1, Corcanree Business Park, Dock Road, Limerick, Ireland
T: +353 (0)61 227 566 F: +353 (0)61 229 017 E: sales@wilo.ie www.wilo.ie